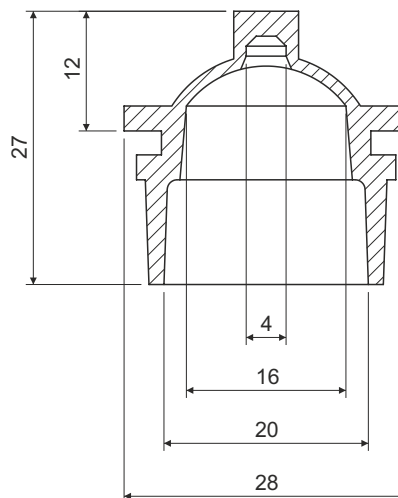


1601



product description: for 8101 and 8102 type boxes
suitable for pipe with and diameter of 20 mm
when removing the projections, it is designed for cables of max. 16 mm in diameter

material: PVC
color: light gray / dark gray
self-snuffing: yes, within 30 s
temperature resistance: -5 - +60 °C
weight: 6 g
certification: EN 60 670-1
storage: ČSN 64 0090

configuration: LB - 10 sealing grommets in the bag; 900 sealing grommets in the cardboard; color - dark gray
KB - 10 sealing grommets in the bag; 900 sealing grommets in the cardboard; color - light gray