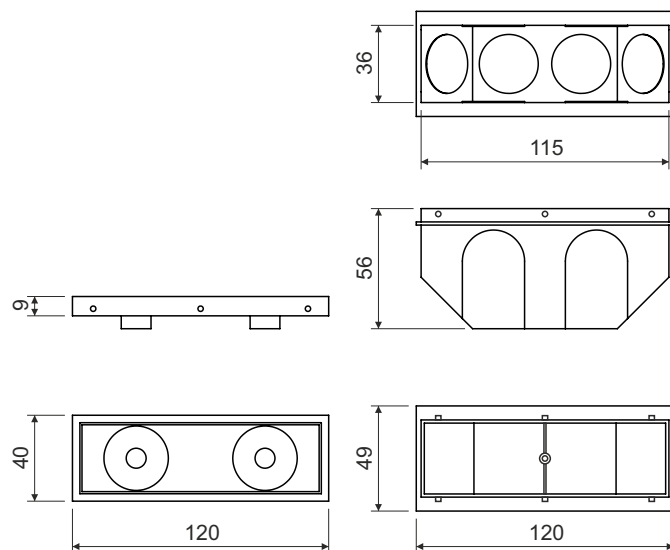


KBS-120

product description: for outlet of multiple piping into one place (e.g. at the location of future distribution systems)
 box cover is fixed to the formwork using nails or screws
 after solidification, remove the front rip-out part of the lid

material: PE (halogen-free)

color: orange

self-snuffing: no

temperature resistance: -5 - +60 °C (short-time +90 °C)

flaming loop test: 650 °C

fire class for underlying material: A1

weight: 43 g

certification: EN 60 670-1

storage: ČSN 64 0090

configuration: AB - 10 boxes packed in foil, labeled; 70 boxes in cardboard