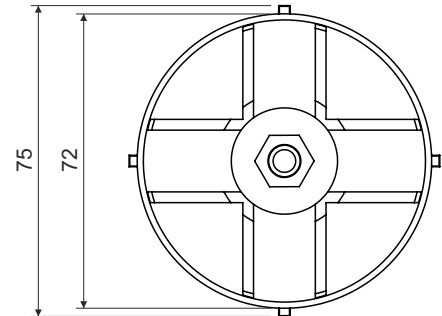
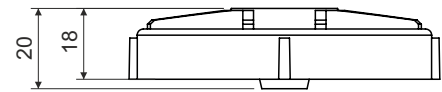


bottom of the box into concrete**KBS-3****product description:**

the bottom is suitable for covering the bodies of boxes KBT-1 and KBT-2
the design of the bottom allows the insertion of KBM nut for screwing the chandelier hook
the nut must be inserted before pouring concrete over the assembly!

material: PA (halogen-free)

color: orange

self-snuffing: no

temperature resistance: -5 - +60 °C (short-time +90 °C)

flaming loop test: 650 °C

fire class for underlying material: A1

weight: 14 g

certification: EN 60 670-1

storage: ČSN 64 0090

configuration: AA - 10 bottoms packed in foil, labeled; 200 bottoms in cardboard

bottom of the box into concrete

Example of using the top chandelier hook to the horizontal casing

Cover KBV-1 (KBV-2) is mounted to the fixed part of the casing. Then body KBT-1 (KBT-2) is assembled together with the bottom piece KBS-3, prepared inputs for pipes and pushed to the already fixed cover.

Electical pipes is installed to final kit. The manufacturer recommends using a flexible pipes LPE (23xx/LPE-x).

Before pouring the concrete mix to the set of the bottom piece KBS-3, insert the nut KMB.

Before pouring concrete mixture, we recommend tying the system to reinforcements by means of draw bands and sealing passages around tubes using sealing material.

When the concrete mix is mature and the casing is dismantled, the break-off bottom of the cover KBV is removed and the top chandelier hook of required length is inserted. To set with the body KBT-1 is designed chandelier hook KBP-10, to set with the body KBT-2 is designed chandelier hook KBP-9.

For covering the mounting space is designed cover V 68 S. Two holes allow threading the light inlet and installation of the hook.

