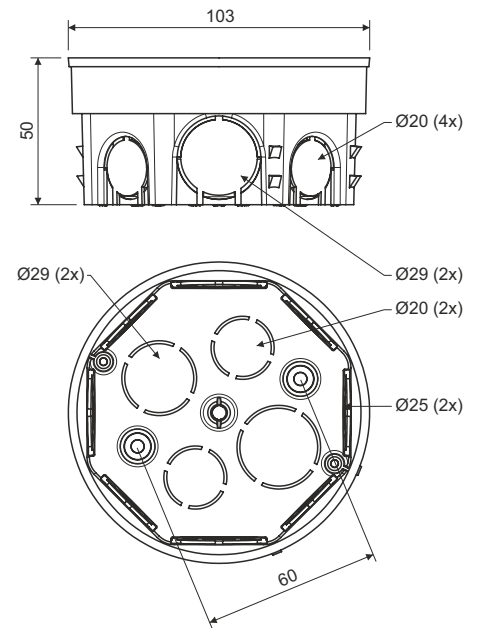


**junction box with cover KO 97 V and terminal plate SP-96**
**KR 97/5**

**product description:**

designed for distribution system with voltage 400 V and with maximum current 16 A  
 a large number of knockouts to make larger installations  
 projections against ripping the box out of the wall  
 sufficient space for terminal plate and circuit connection

material: PVC

color: gray

self-snuffing: yes, within 30 s

temperature resistance: -5 - +60 °C

flaming loop test: 850 °C

fire class for underlying material: A1-D

weight: 165 g

certification: EN 60 670-1

storage: ČSN 64 0090

configuration: KA - 80 pcs boxes with attached lids placed in a cardboard separately

**accessories:**

blind cover ZV 97

terminal plate S-96

screwless terminal plates TYP015, TYP016, TYP017, TYP018

extending piece TN 97