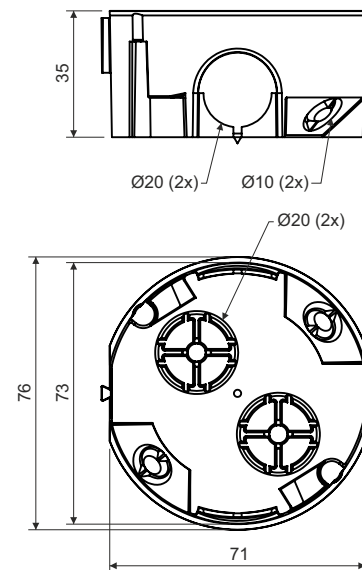


## junction box

**KU 68/71L1**

## product description:

designed for distribution system with voltage 400 V and with maximum current 16 A  
 possibility to join into and continuous series with and spacing of 71 mm (up to 3 boxes)  
 boxes can be joined with boxes KPR 68/71L  
 jointed boxes can be interconnected using single insulated wires  
 integrated tip to mark the centre of drilling  
 when mounting, it is not necessary to countersink the plasterboard edge  
 mounting screws are fitted with a triple thread for quick installation  
 allows to install double-socket

material: PVC (Pb Free)

color: yellow

self-snuffing: yes, within 30 s

temperature resistance: -5 - +60 °C

flaming loop test: 850 °C

fire class for underlying material: A1-F

weight: 34 g

certification: EN 60 670-1

storage: ČSN 64 0090

configuration: NA - boxes fitted with screws for mounting into double wall and device screws - package: 120 pcs boxes loose in cardboard

accessories: cover V 68  
 terminal plate S-66  
 screwless terminal plates TYP015, TYP016, TYP017, TYP018

auxiliary tools: drill for hollow walls - set VDS 68 (universal carrier VPTU + saw-drill VPT 68 + spring P1)