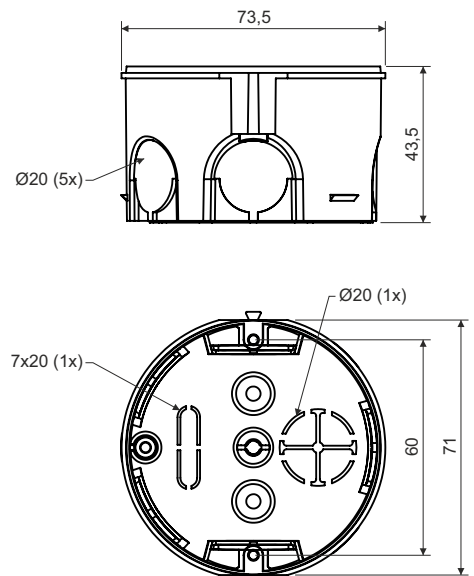


KU 68-1901



product description:

designed for distribution system with voltage 400 V and with maximum current 16 A
 allows to install double-socket
 possibility to join into and continuous series with and spacing of 71 mm (up to 3 boxes)
 boxes can be joined with boxes KP 68/2, KP 68 and KPR 68
 possibility to insert a terminal plate and screwless terminals

material: PVC

color: gray

self-snuffing: yes, within 30 s

temperature resistance: -5 - +60 °C

flaming loop test: 850 °C

fire class for underlying material: A1-D

weight: 32 g

certification: EN 60 670-1

storage: ČSN 64 0090

configuration:

KA - device screws included in the package - package: 100 pcs boxes loose in cardboard
 ZB - device screws included in the package - package: 10 pcs in foil, 80 pcs in cardboard
 SN - two boxes fitted with blind cover, 4 device screws included - package: 2 pcs in foil, 100 pcs in cardboard

accessories:

cover KO 68
 cover V 68
 blind cover ZV 68
 extending frames NR 68/6, NR 68/10
 extending piece TN 68
 terminal plate S-66
 screwless terminal plates TYP015, TYP016, TYP017, TYP018

auxiliary tools: non-hammered masonry cutter FR 68 SDS