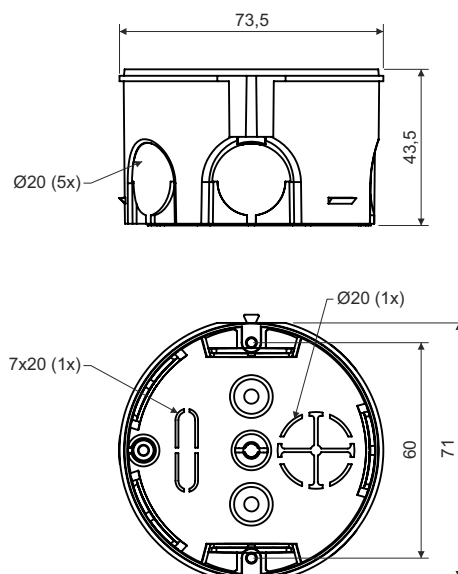


KU 68-1903

product description: designed for distribution system with voltage 400 V and with maximum current 16 A
 clearly arranged installation
 high quality connection of electrical potentials using screws
 brass PE terminal

material: PVC

color: gray

self-snuffing: yes, within 30 s

temperature resistance: -5 - +60 °C

flaming loop test: 850 °C

fire class for underlying material: A1-D

weight: 86 g

certification: EN 60 670-1

storage: ČSN 64 0090

configuration: KA - boxes fitted with a cover and terminal plate - package: 100 pcs loose in cardboard

accessories: blind cover ZV 68
 extending frames NR 68/6, NR 68/10
 extending piece TN 68

auxiliary tools: non-hammered masonry cutter FR 68 SDS