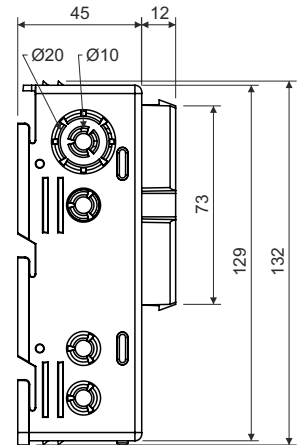
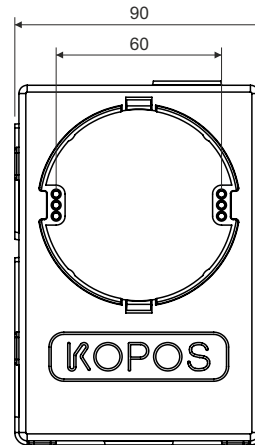


## junction box

**KUH 1**

## product description:

designed for distribution system with voltage 400 V and with maximum current 16 A  
 more space in the box allows the insertion of active elements under the device  
 possibility to insert the terminal S-66 directly under the device  
 suitable for modern electrical system with higher space requirements  
 allows to install double-socket

material: PVC

color: gray

self-snuffing: yes, within 30 s

temperature resistance: -5 - +60 °C

flaming loop test: 850 °C

fire class for underlying material: A1-D

weight: 130 g

certification: EN 60 670-1

storage: ČSN 64 0090

configuration: KA - 1 box packed individually in shrink film, installation screws included; 35 pcs boxes loose in cardboard

## accessories:

cover V 68

blind cover ZV 68

extending frames NR 68/6, NR 68/10

terminal plate S-66

screwless terminal plates TYP015, TYP016, TYP017, TYP018