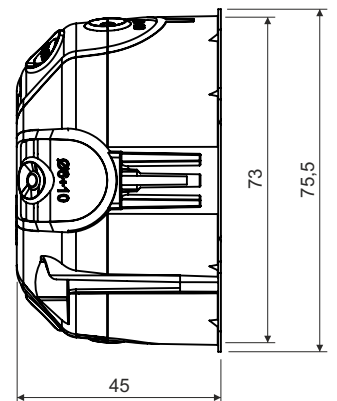
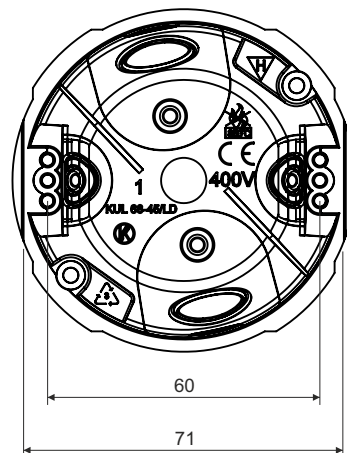


## KUL 68-45/LD2



## product description:

designed for distribution system with voltage 400 V and with maximum current 16 A  
 designed for mounting into hollow walls (eg. walls of plasterboard)  
 inlet openings made of flexible material  
 marked inputs for sealing cables and pipes in the flexible material (6x 6-10 mm, 2x 20-25 mm)  
 air-tightness even with inserted cable or pipe  
 suitable for low energy and passive houses  
 prevents airflow through the installation  
 mounting screws with plastic foot are fitted with a twin self-tapping thread for quick installation  
 when mounting, it is not necessary to countersink the plasterboard edge  
 possibility to insert screwless terminals  
 IP protection is IP 30 (with the cover V 68 mounted)

material: PVC (Pb Free)

color: yellow

self-snuffing: yes, within 30 s

temperature resistance: -5 - +60 °C

flaming loop test: 850 °C

fire class for underlying material: A1-F

weight: 30 g

certification: EN 60 670-1

storage: ČSN 64 0090

configuration: NA - boxes fitted with screws for mounting into double wall and V 68 cover - package: 100 pcs in boxes

accessories: terminal plate S-66  
 screwless terminal plates TYP015, TYP016, TYP017, TYP018

auxiliary tools: saw-drill VPT 68  
 universal carrier VPTU