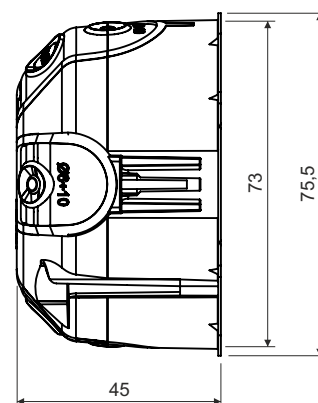
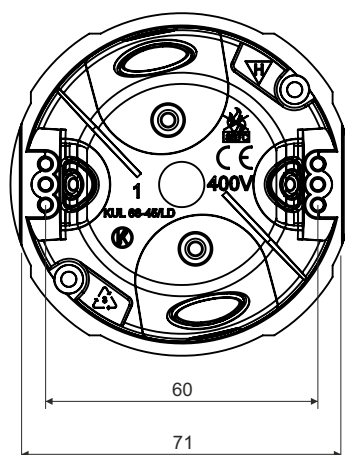


## KUL 68-45/LD



## product description:

designed for distribution system with voltage 400 V and with maximum current 16 A  
 designed for mounting into hollow walls (eg. walls of plasterboard)  
 inlet openings made of flexible material  
 marked inputs for sealing cables and pipes in the flexible material (6x 6-10 mm, 2x 20-25 mm)  
 air-tightness even with inserted cable or pipe  
 suitable for low energy and passive houses  
 prevents airflow through the installation  
 mounting screws with plastic foot are fitted with a twin self-tapping thread for quick installation  
 instrument screws are tightened below the edge of the box  
 extended edge situated for easy overlay installed device  
 when mounting, it is not necessary to countersink the plasterboard edge  
 possibility to insert screwless terminals  
 when using box with the cover V 68, the IP protection is IP30

material: PVC (Pb Free)

color: yellow

self-snuffing: yes, within 30 s

temperature resistance: -5 - +60 °C

flaming loop test: 850 °C

fire class for underlying material: A1-F

weight: 30 g

certification: EN 60 670-1

storage: ČSN 64 0090

configuration: NA - boxes fitted with screws for mounting into double wall and device screws - package: 100 pcs in boxes

accessories: cover V 68  
 terminal plate S-66  
 screwless terminal plates TYP015, TYP016, TYP017, TYP018

auxiliary tools: saw-drill VPT 68  
 universal carrier VPTU