

cable tray with integrated coupling - height 60 mm

item number	width of cable tray	thickness of metal sheet
KZI 60X50X0.75	50	0,75
KZI 60X75X0.75	75	0,75
KZI 60X100X0.75	100	0,75
KZI 60X150X0.75	150	0,75
KZI 60X200X0.75	200	0,75
KZI 60X300X0.75	300	0,75
KZI 60X50X1.00	50	1,00
KZI 60X75X1.00	75	1,00
KZI 60X100X1.00	100	1,00
KZI 60X150X1.00	150	1,00
KZI 60X200X1.00	200	1,00
KZI 60X300X1.00	300	1,00
KZI 60X400X1.00	400	1,00
KZI 60X500X1.00	500	1,00
KZI 60X600X1.00	600	1,00
KZI 60X50X1.25	50	1,25
KZI 60X75X1.25	75	1,25
KZI 60X100X1.25	100	1,25
KZI 60X150X1.25	150	1,25
KZI 60X200X1.25	200	1,25
KZI 60X300X1.25	300	1,25
KZI 60X400X1.25	400	1,25

height of cable tray: 60 mm

length of cable tray: 3000 mm

product description: Cable tray is designed to create a cable route.

For securing the connection of the trays with the integrated coupling there are used the clamps made from spring steel KSV or the bolts NSM 6X10.

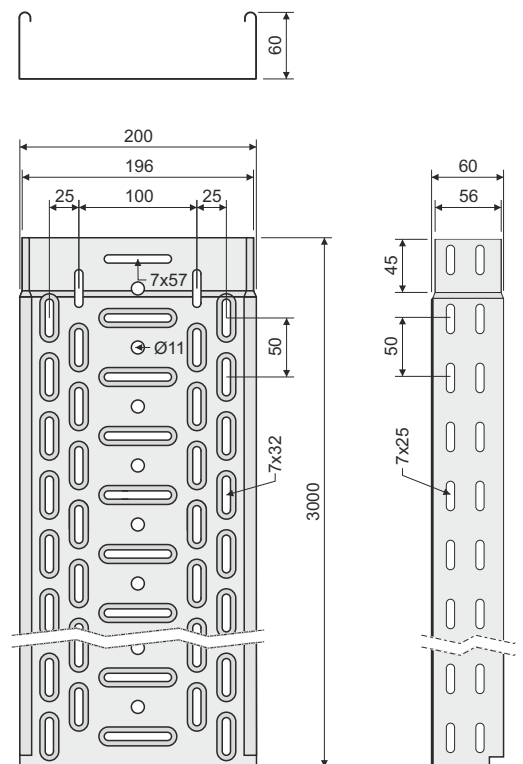
Cable trays may be supplied to order with various design or with a polyester varnish (varnish layer 60, 100 µm) – contact your sales representative for more information.

configuration: S (PO) - Pre-Galvanized, zinc-layer 15 - 27 µm
 F (POF) - Hot Dip Galvanized, zinc-layer 50 - 100 µm
 EO - epoxy coating for indoor environment, along the perimeter, 60 µm
 EC - epoxy coating for indoor environment, - total paint, 60 µm

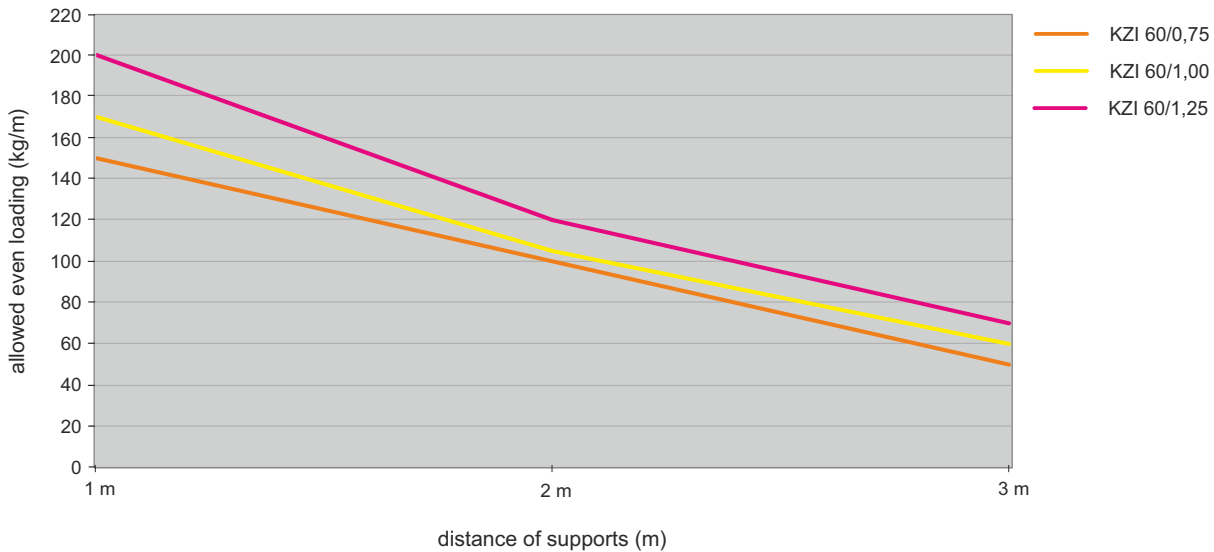
sales amount: á 3 m

certification: EN 61537:02

storage: EN 60721-3-1



The graph shows the maximum allowed even loading of the tray in relation to the distances of the supports.



inner usable cross-section of the channel

		KZI								
		60X50	60X75	60X100	60X150	60X200	60X300	60X400	60X500	60X600
cross-section (cm ²)		30	45	60	90	120	180	240	300	360
CYKY 3X1,5	Ø8,6	20	30	41	61	81	122	162	203	243
CYKY 5X1,5	Ø10,1	15	22	29	44	59	88	118	147	176
CYKY 3X2,5	Ø9,5	17	25	33	50	66	100	133	166	199
CYKY 5X2,5	Ø11,2	12	18	24	36	48	72	96	120	143
CYKY 3X4	Ø11,2	12	18	24	36	48	72	96	120	143
CYKY 5X4	Ø13,8	8	12	16	24	32	47	63	79	95
CYKY 5X6	Ø15,1	7	10	13	20	26	39	53	66	79
CYKY 5X10	Ø18	5	7	9	14	19	28	37	46	56
CYKY 5X16	Ø20,4	4	5	7	11	14	22	29	36	43
CYKY 5X25	Ø26,1	2	3	4	7	9	13	18	22	26
CYKY 4X35	Ø24,8	2	4	5	7	10	15	20	24	29
CYKY 4X50	Ø31,3	2	2	3	5	6	9	12	15	18
CYKY 3X70+50	Ø33,6	1	2	3	4	5	8	11	13	16
CYKY 3X95+70	Ø39,3	1	1	2	3	4	6	8	10	12
CYKY 3X120+95	Ø43	0	1	2	2	3	5	6	8	10
CYKY 3X240+120	Ø56,4	0	1	1	1	2	3	4	5	6

The values state the number of cables with the tray at 50% full. Orientation diameters of the cables CYKY. The values are mathematically calculated. The limit values (small tray x big cable or contrariwise) it is necessary to consider combination of the tray and diameter of the cable and used them with reference to technical conditions.

cable tray with integrated coupling - height 60 mm

