

cable tray with integrated coupling - height 85 mm

item number	width of cable tray	thickness of metal sheet
KZI 85X100X0.75	100	0,75
KZI 85X150X0.75	150	0,75
KZI 85X100X1.00	100	1,00
KZI 85X150X1.00	150	1,00
KZI 85X200X1.00	200	1,00
KZI 85X300X1.00	300	1,00
KZI 85X400X1.00	400	1,00
KZI 85X500X1.25	500	1,25
KZI 85X600X1.25	600	1,25



height of cable tray: 85 mm

length of cable tray: 3000 mm

product description: Cable tray is designed to create a cable route.

For securing the connection of the trays with the integrated coupling there are used the clamps made from spring steel KSV or the bolts NSM 6X10.

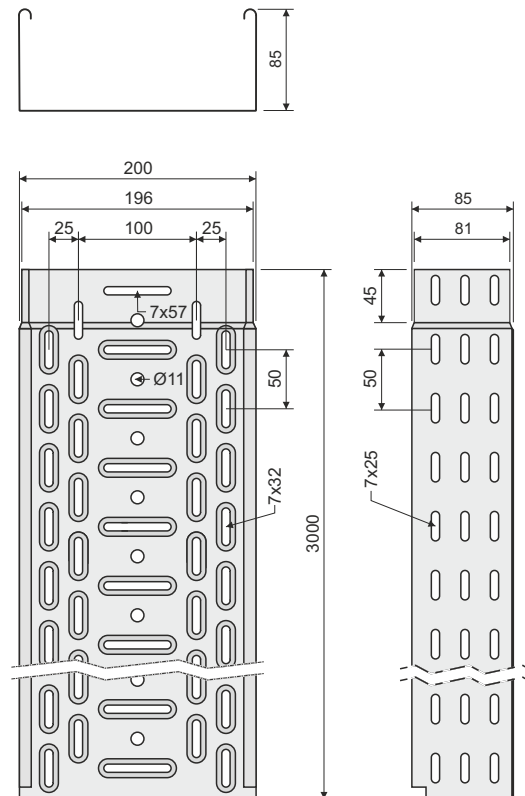
Cable trays may be supplied to order with various design or with a polyester varnish (varnish layer 60, 100 µm) – contact your sales representative for more information.

configuration: S - Pre-Galvanized, zinc-layer 15 - 27 µm
 F - Hot Dip Galvanized, zinc-layer 50 - 100 µm
 EO - epoxy coating for indoor environment, along the perimeter, 60 µm
 EC - epoxy coating for indoor environment, - total paint, 60 µm

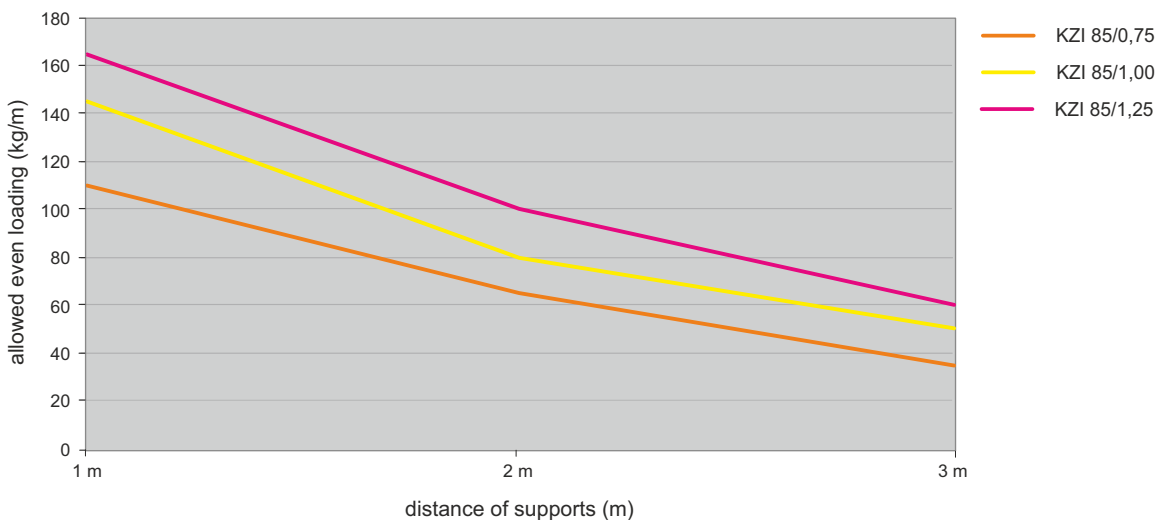
sales amount: á 3 m

classification: EN 61537:02

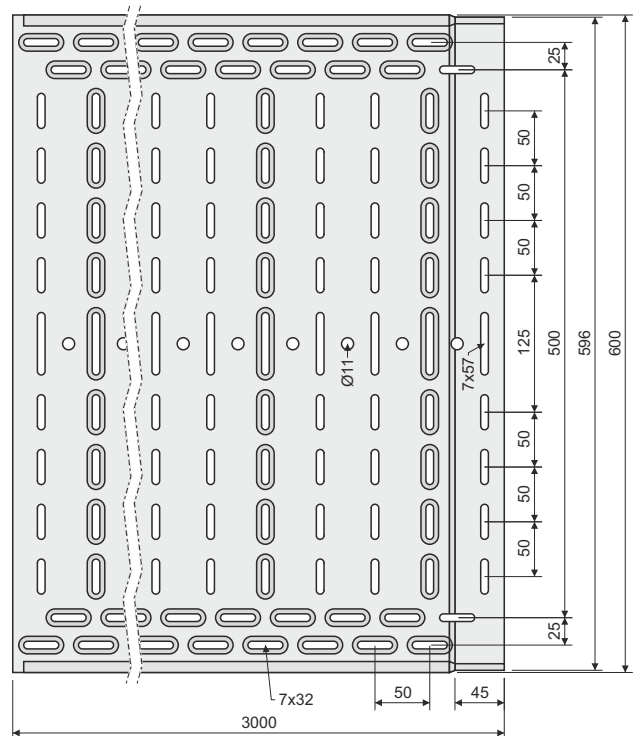
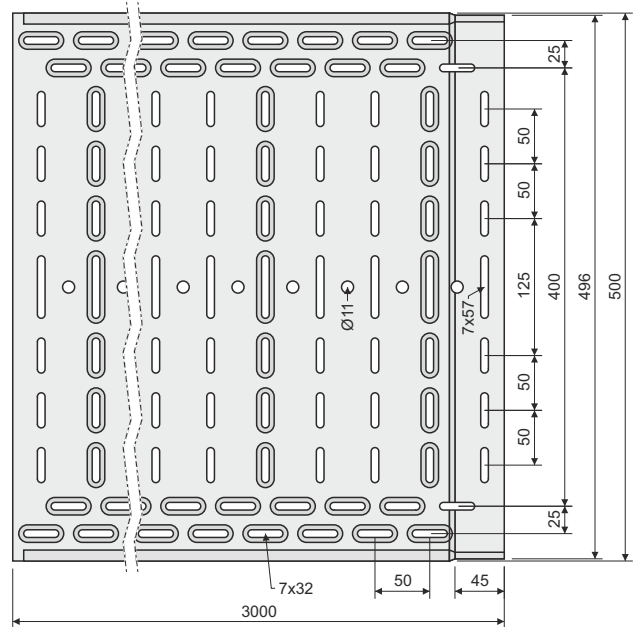
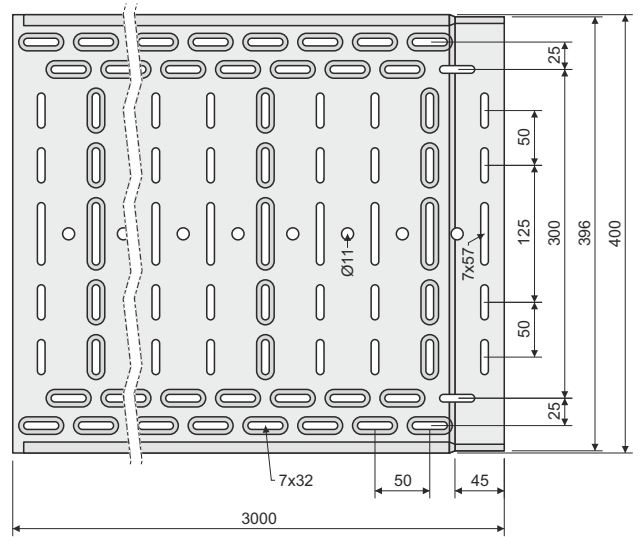
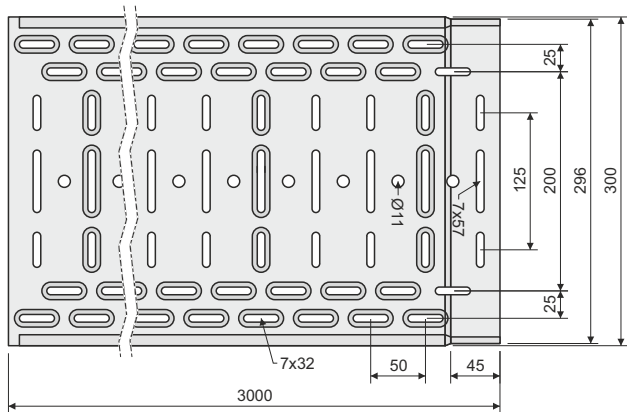
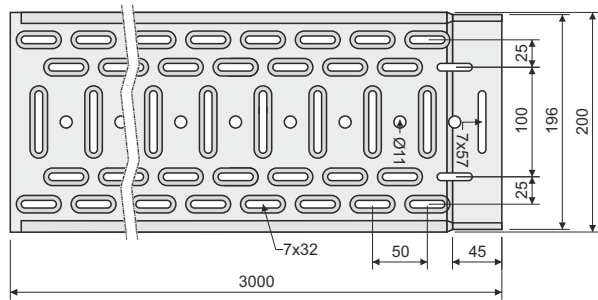
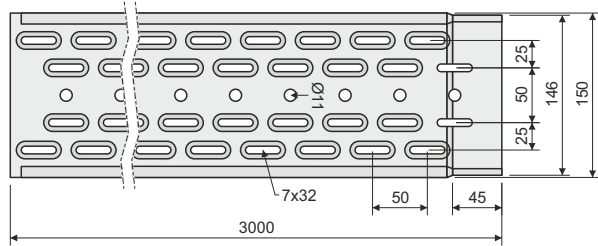
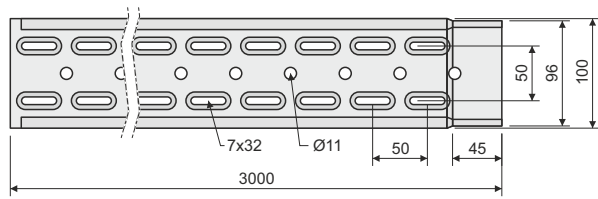
storage: EN 60721-3-1



The graph show the maximum allowed even loading of the tray in relation to the distances of the supports.



cable tray with integrated coupling - height 85 mm



inner usable cross-section of the channel

	KZI	85X100	85X150	85X200	85X300	85X400	85X500	85X600
	cross-section (cm ²)	85	127,5	170	255	340	425	510
CYKY 3X1,5	Ø8,6	57	86	115	172	230	287	345
CYKY 5X1,5	Ø10,1	42	62	83	125	167	208	250
CYKY 3X2,5	Ø9,5	47	71	94	141	188	235	283
CYKY 5X2,5	Ø11,2	34	51	68	102	136	169	203
CYKY 3X4	Ø11,2	34	51	68	102	136	169	203
CYKY 5X4	Ø13,8	22	33	45	67	89	112	134
CYKY 5X6	Ø15,1	19	28	37	56	75	93	112
CYKY 5X10	Ø18	13	20	26	39	52	66	79
CYKY 5X16	Ø20,4	10	15	20	31	41	51	61
CYKY 5X25	Ø26,1	6	9	12	19	25	31	37
CYKY 4X35	Ø24,8	7	10	14	21	28	35	41
CYKY 4X50	Ø31,3	4	7	9	13	17	22	26
CYKY 3X70+50	Ø33,6	4	6	8	11	15	19	23
CYKY 3X95+70	Ø39,3	3	4	6	8	11	14	17
CYKY 3X120+95	Ø43	2	3	5	7	9	11	14
CYKY 3X240+120	Ø56,4	1	2	3	4	5	7	8

The values state the number of cables with the tray at 50% full. Orientation diameters of the cables CYKY.
The values are mathematically calculated. The limit values (small tray x big cable or contrariwise) it is necessary to consider combination of the tray and diameter of the cable and used them with reference to technical conditions.