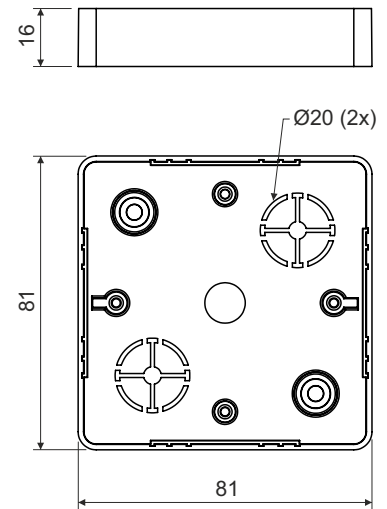


**junction box with cover VLK 80/R and terminal plate S-66**
**LK 80R/3**

**product description:**

designed for distribution system with voltage 400 V and with maximum current 16 A  
 on the sides of the box are marked inlets for the trunkings  
 to install on materials with fire classes E or F, use insulating pad  
 height of the box with a cover is 26 mm

material: PVC

color: white

self-snuffing: yes, within 30 s

temperature resistance: -5 - +60 °C

flaming loop test: 850 °C

fire class for underlying material: A1-D

weight: 96 g

certification: EN 60 670-1

storage: ČSN 64 0090

**configuration:**

HB - 10 pcs boxes including device screws packed in foil; 10 pcs covers packed in foil; 10 pcs terminal plates packed in foil;  
 100 pcs boxes, covers and terminal plates in cardboard

**accessories:**

cover VLK 80/R  
 thermo-insulating pad PI 80R  
 extending frame NR 80/R  
 terminal plate S-66  
 screwless terminal plates TYP015, TYP016, TYP017, TYP018