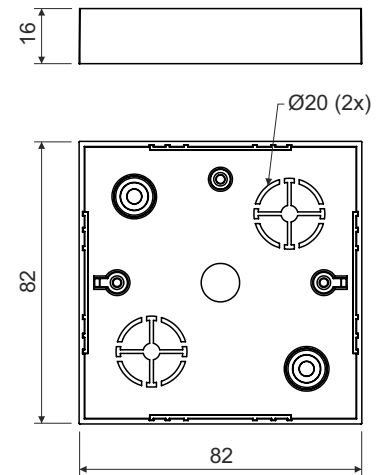


junction box with cover VLK 80 and terminal plate S-66
LK 80/3

product description:

designed for distribution system with voltage 400 V and with maximum current 16 A
 its shape is also suitable for older devices
 on the sides of the box are marked inlets for the trunkings
 to install on materials with fire classes E or F, use insulating pad
 height of the box with a cover is 26 mm

material: PVC

color: white

self-snuffing: yes, within 30 s

temperature resistance: -5 - +60 °C

flaming loop test: 850 °C

fire class for underlying material: A1-D

weight: 96 g

certification: EN 60 670-1

storage: ČSN 64 0090

configuration:

HB - 10 pcs boxes including device screws packed in foil; 10 pcs covers packed in foil; 10 pcs terminal plates packed in foil;
 100 pcs boxes, covers and terminal plates in cardboard

accessories:

cover VLK 80

thermo-insulating pad PI 80R

terminal plate S-66

screwless terminal plates TYP015, TYP016, TYP017, TYP018