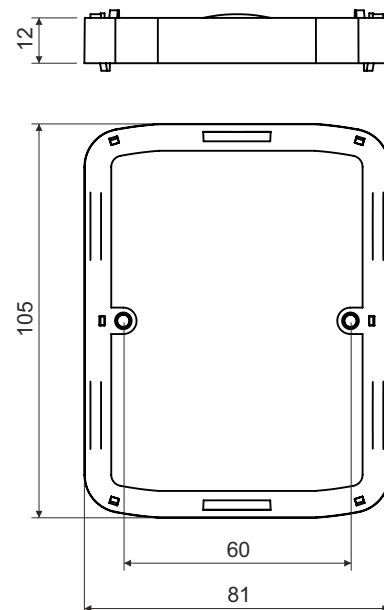


extending frame

NR 2ZT



product description: designed to extension the mounting depth trunking boxes LK 80X28 2ZT
compatible with device series Tango

material: PVC

color: white RAL 9003

self-snuffing: yes, within 30 s

temperature resistance: -5 - +60 °C

flaming loop test: 850 °C

fire class for underlying material: A1-F

weight: 18 g

certification: EN 60 670-1

storage: ČSN 64 0090

configuration: HB - 10 frames packed in a foil, labeled; 200 frames packed in cardboard