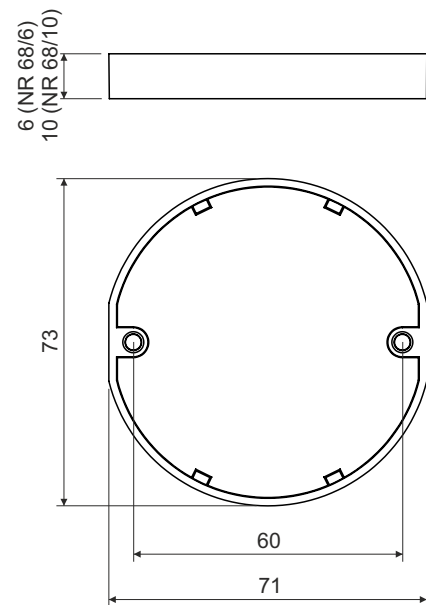


extending frame
NR 68/6
NR 68/10


product description: designed to extension the mounting depth of 6 or 10 mm for boxes, whose is recessed below the level of plaster or tiles during installation

possible to use for two boxes or multiple boxes with 71 mm spacing

for boxes KU 68-1901, KU 68-1902, KU 68-1903, KP 67/2, KP 67/3, KP 68/2, KP 68, KPR 68, KP 64/2, KP 64/3, KP 64/4, KP 64/5, KUH 1

material: PVC

self-snuffing: yes, within 30 s

temperature resistance: -5 - +60 °C

flaming loop test: 850 °C

fire class for underlying material: A1-F

weight: 4 g (NR 68/6); 7 g (NR 68/10)

certification: EN 60 670-1

storage: ČSN 64 0090

configuration: NR 68/6: configuration ZB - 10 frames packed in a foil, labeled; 750 frames packed in cardboard

NR 68/10: configuration ZB - 10 frames packed in a foil, labeled; 420 frames packed in cardboard