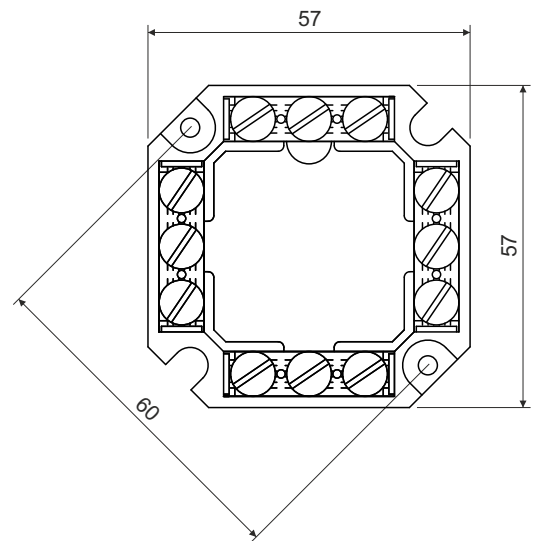


## terminal plate

**S-66**

## product description:

intended into distribution boxes with fixing spacing of 60 mm

four separate fields for connecting up to three conductors of up to 4 mm<sup>2</sup> in diameter

for voltages of up to 400 V

for boxes: KU 68-1901, KU 68-1901HF, KU 68-1902, KU 68-1903, KUH 1, KO 100, KO 100 E, KO 125, KO 125 E, KT250, KT 250/1, KU 68 LD/1, KU 68 LD/1HF, KU 68 LD/2, KU 68/71L1, KU 68 LA/1HF, KPR 68/L, KPR 68/71L, KI 68 L/1, KO 110/L, KO 125/1L, KT 250/L, KUH 1/L, LK 80/1, LK 80/2, LK 80/3, LK 80X28/1, LK 80R/1, LK 80R/2, LK 80R/3, LK 80X20R/1, LK 80X28R/1, LK 80X28 2R, LK 80X16 T, LK 80X28 T, LK 80X28 2T, KSK 80, KSK 100, KSK 125, KSK 175, 8101, 8102, 8106, 8107

material: PA (halogen-free)

color: black

self-snuffing: yes, within 30 s

temperature resistance: -30 - +105 °C

flaming loop test: 850 °C

fire class for underlying material: A1-F

weight: 42 g

certification: EN 60998-1

storage: ČSN 64 0090

configuration: FB - 10 terminal plates packed in a foil, labeled; 160 terminal plates packed in cardboard