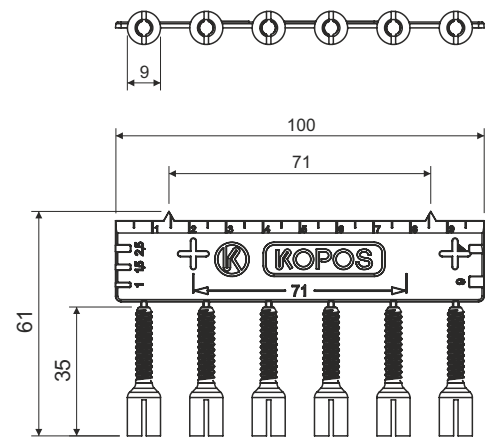
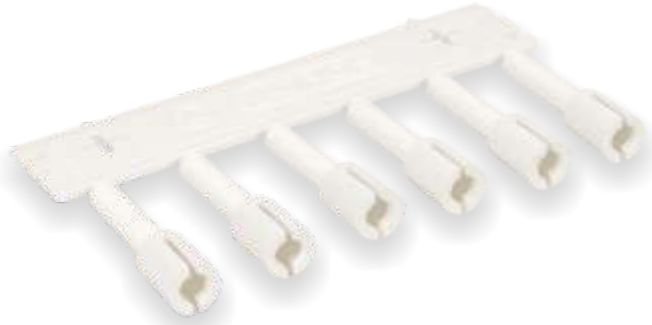


extending piece
TN 68
TN 97

product description:

to extend the central pin of covers, for boxes that are too recessed, where the cover pin is short and does not reach the central thread of the wiring box.

the pin can be shortened to the required length

attached ruler is used to measure the spacing of 71 mm when mounting devices in the combined frame

notches can be used as a gauge to identify cable sections

1 piece contains a plate of 6 extending piece

TN 68 is designed for KO 68, for boxes KU 68-1901, KU 68-1902, KU 68-1903, KPM 64/LU

TN 97 is designed for KO 97 V and KO 97 V/1, for boxes KO 97/5, KO 97/L, KR 97/5, KR 97/L, KOM 97, KOM 97/LU

material: PVC

color: gray (TN 68) / white (TN 97)

self-snuffing: yes, within 30 s

temperature resistance: -5 - +60 °C

flaming loop test: 850 °C

fire class for underlying material: A1-F

weight: 14 g (TN 68) / 15 g (TN 97)

certification: EN 60 670-1

storage: ČSN 64 0090

configuration:

TN 68 configuration KB - 10 plate extending pieces packed in a bag, 800 plate extending pieces packed in a cardboard; gray color

TN 97 configuration HB - 10 plate extending pieces packed in a bag, 800 plate extending pieces packed in a cardboard; white color