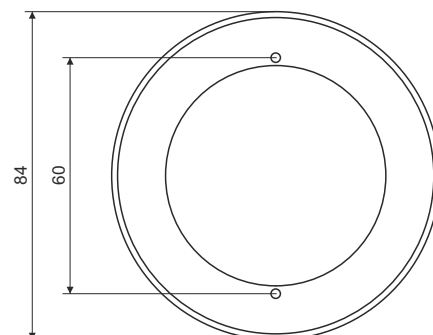
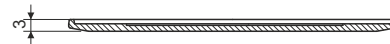


cover

V 68

product
description:

to cover the boxes with fixing spacing of 60 mm using fastening screws

for boxes: KU 68-1901; KU 68-1902; KU 68-1903; KP 67/2; KP 67/3; KP 68/2; KP 68; KPR 68; KUH 1; KU 68 LD/1; KU 68 LD/2;
KU 68/71L1; KPR 68/L; KPR 68/71L; KI 68 L/1; KP 64/LD; KPM 64/LU; KUH 1/L

material: PVC

color: white RAL 9003

self-snuffing: yes, within 30 s

temperature resistance: -5 - +60 °C

flaming loop test: 850 °C

fire class for underlying material: A1-F

weight: 16 g

certification: EN 60 670-1

storage: ČSN 64 0090

configuration: HA - 100 covers packed in a bag, labeled; 400 covers packed in cardboard