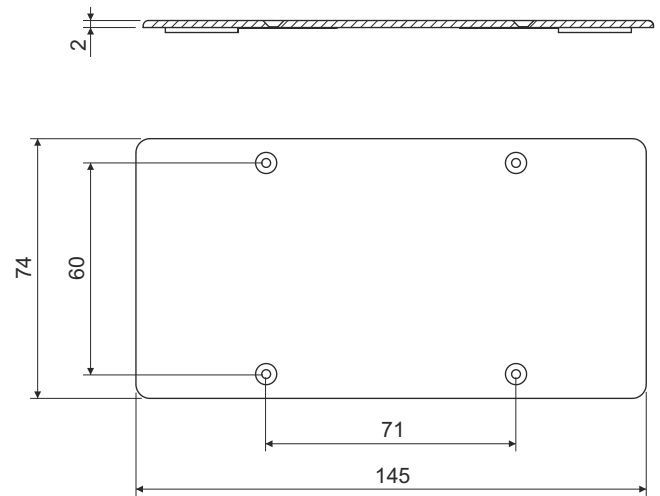


cover

VKP 64/2L



product description: to finally cover two boxes KP 67/2 or KP 67/3 with a spacing of 71 mm or double boxes KP 64/2 and KP 64/2L

material: PVC

color: white RAL 9003

self-snuffing: yes, within 30 s

temperature resistance: -5 - +60 °C

flaming loop test: 850 °C

fire class for underlying material: A1-F

weight: 34 g

certification: EN 60 670-1

storage: ČSN 64 0090

configuration: HB - 10 covers packed in a foil, labeled; 450 covers packed in cardboard