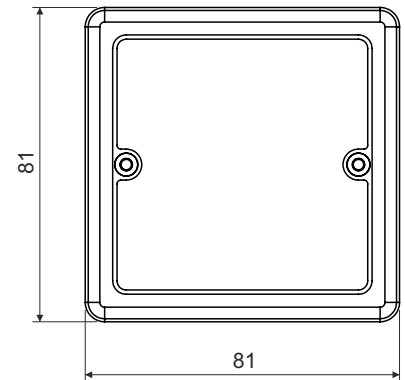
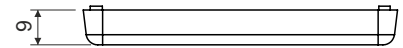


cover

VLK 80/R



product description: to finally cover trunking boxes LK 80R/1, LK 80R/2, LK 80R/3, LK 80X20R/1, LK 80X28R/1, LK 80X28 2R

material: PVC

color: white RAL 9003

self-snuffing: yes, within 30 s

temperature resistance: -5 - +60 °C

flaming loop test: 850 °C

fire class for underlying material: A1-F

weight: 22 g

certification: EN 60 670-1

storage: ČSN 64 0090

configuration: HB - 10 covers packed in a foil, labeled; 380 covers packed in cardboard