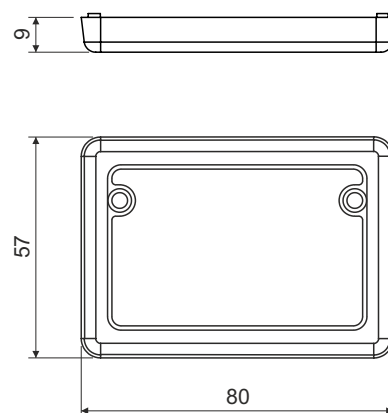


## cover

## VLK 80/2R



---

product description: to finally cover trunking boxes LK 80X28 2R when mounting double-socket

---

material: PVC

color: white RAL 9003

self-snuffing: yes, within 30 s

temperature resistance: -5 - +60 °C

flaming loop test: 850 °C

fire class for underlying material: A1-F

weight: 17 g

certification: EN 60 670-1

storage: ČSN 64 0090

---

configuration: HB - 10 covers packed in a foil, labeled; 560 covers packed in cardboard