

item number	A	B	C	weight (kg/pc)	max. load (kg)
DS 100_S	118	94	60	0,24	180
DS 150_S	168	94	60	0,33	160
DS 200_S	218	104	60	0,38	150
DS 300_S	318	120	60	0,63	200
DS 400_S	418	120	60	0,76	180
DS 500_S	518	140	90	1,00	160
DS 600_S	618	140	90	1,23	150



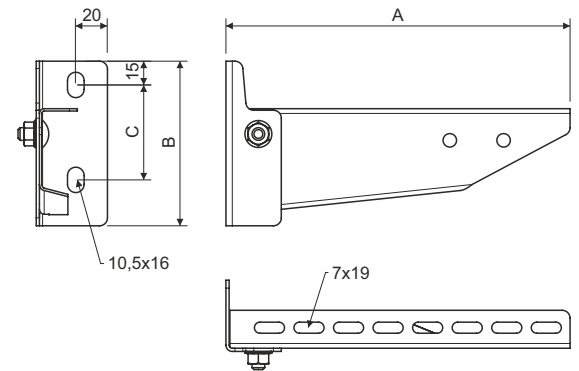
product description: The bracket is used as an element to create a supporting structure for a cable tray.

It is designated for installation on the wall or ceiling profile SPL or SPS.

For assembly to the ceiling profile there are used the sliding nuts PM 41 M 10 (PMP 41 M 10) together with the bolts S 10X20.

Attached to the wall using 2 Ø 8 mm anchors.

NSM 6X10 bolts are used to attach the cable tray to the bracket. An SUP fastening clamp is suitable for attaching to a cable ladder. To protect the cables, the bolt head is inside the cable tray.



surface finish: S - Pre-Galvanized, zinc-layer 15 - 27 µm

sales amount: á 1 pc

storage: EN 60721-3-1

