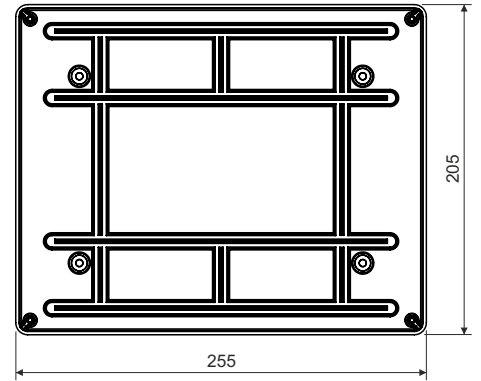


# KT 250



400

16

temperature resistance: -5 - +60 °C

flaming loop test: 850 °C

: A1-D

: 666

: EN 60 670-1

S-66; S-96; SP-96

TYP015, TYP016, TYP017, TYP018

TS35