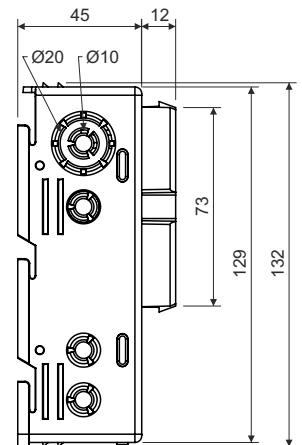
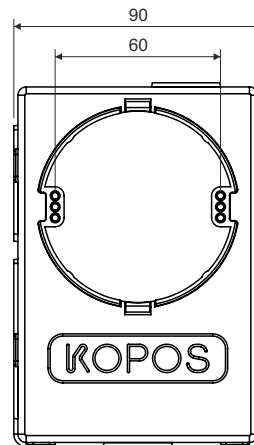


junction box

KUH 1/L

product description:

designed for distribution system with voltage 400 V and with maximum current 16 A
 installation on the reverse side of double wall with a thickness of 12.5 mm using the included screws
 more space in the box allows the insertion of active elements under the device
 possibility to insert the terminal S-66 directly under the device
 suitable for modern electrical system with higher space requirements
 allows to install double-socket

material: PVC (Pb Free)

color: yellow

self-snuffing: yes, within 30 s

temperature resistance: -5 - +60 °C

flaming loop test: 850 °C

fire class for underlying material: A1-F

weight: 133 g

certification: EN 60 670-1

storage: ČSN 64 0090

configuration: NA - inserted into each box are installation and device screws, each box is individually wrapped in shrink film and labelled;
 package - 35 pcs in carton stacked

accessories: cover V 68
 terminal plate S-66
 screwless terminal plates TYP015, TYP016, TYP017, TYP018

auxiliary tools: drill for hollow walls - set VDS 68 (universal carrier VPTU + saw-drill VPT 68 + spring P1)