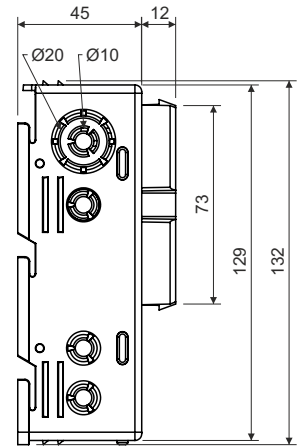
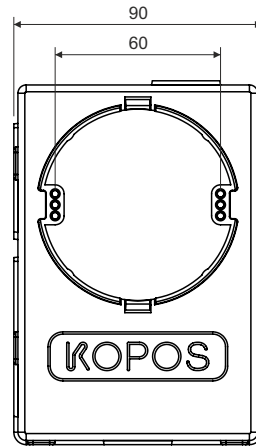


KUH 1/L



400
12,5

16

S-66

()
30
-5 - +60 °C
850 °C
A1-F

133

EN 60 670-1

V 68
S-66

TYP015, TYP016, TYP017, TYP018

VDS 68 (

VPTU +

VPT 68 +

P1)