

| item number | A | max. load (kg) | w eight (kg/pc) |
|------------------|-----|----------------|-----------------|
| LTS 100_S | 163 | 150 | 0,34 |
| LTS 150_S | 213 | 120 | 0,4 |
| LTS 200_S | 263 | 110 | 0,46 |
| LTS 300_S | 363 | 75 | 0,59 |
| LTS 400_S | 463 | 50 | 0,71 |
| LTS 500_S | 563 | - | 0,82 |
| LTS 600_S | 663 | - | 0,94 |



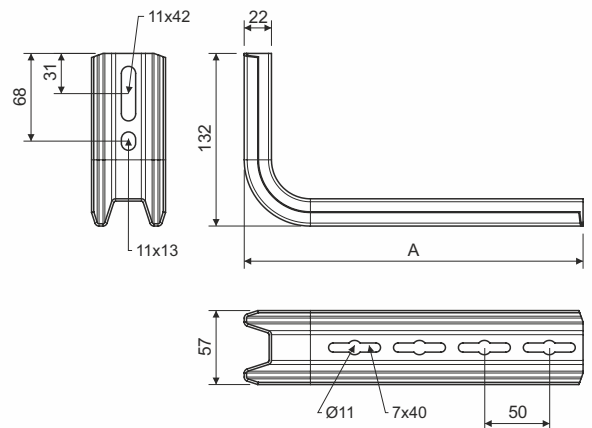
product description: This bracket is used to fasten cable trays running through cable trays or cable ladders to the wall.

The cable tray is fastened using NSM 6X10 bolts. To protect the cables, the bolt head is inside the cable tray. A bolt with a GMT surface finish is used for a tray with an F surface finish.

The clamp is fastened to the ceiling using KPO 10X95 anchors or KKZ 10 anchors, S 10X40 bolts and PD 10 washers.

To eliminate deformation during assembly the STS reinforcement is designated.

LTS 500 and LTS 600 brackets are used as ceiling profiles.



surface finish: S - Pre-Galvanized, zinc-layer 15 - 27 µm

sales amount: á 1 pc

storage: EN 60721-3-1

