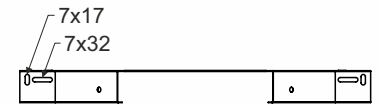
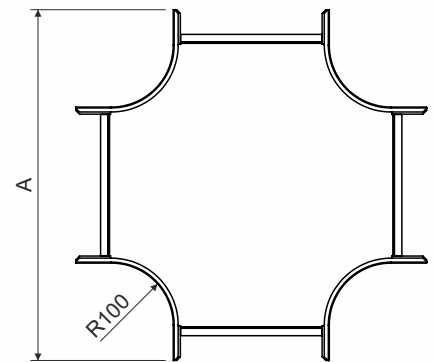
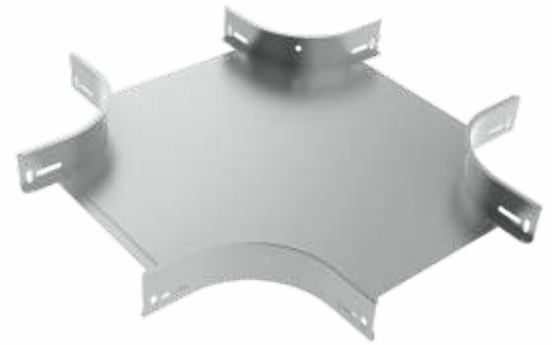


item number	for width of cable tray	for height of cable tray	A	thickness of metal sheet	weight kg/ps	amount of bolts for connection
NKR 50X62_S	62	50	379	0,7	0,62	8
NKR 50X62_F					0,73	
NKR 50X125_S	125	50	442	0,7	0,85	8
NKR 50X125_F					1,00	
NKR 50X250_S	250	50	567	0,7	1,43	8
NKR 50X250_F					1,86	
NKR 100X125_S	125	100	442	0,7	1,15	16
NKR 100X125_F					1,35	
NKR 100X250_S	250	100	567	0,7	1,73	16
NKR 100X250_F					2,21	
NKR 100X500_S	500	100	817	0,7	3,41	16
NKR 100X500_F					4,48	



product description: The cross-over is used to connect cable trays that cross over on one level running through cable trays MARS of the same width.

Unequal cross there is possible to replace by use of reductive parts NRD.

To fix the connection use the bolt NSM 6X10. To protect the cables, the bolt head is inside the cable tray.

A bolt with a GMT surface finish is used for a tray with an F surface finish.

These items can also be ordered in a varnished version.

surface finish: S - Pre-Galvanized, zinc-layer 15 - 27 µm
F - Hot Dip Galvanized, zinc-layer 45 µm (min. 35 µm)

sales amount: á 1 pc

certification: EN 61537:02

storage: EN 60721-3-1

