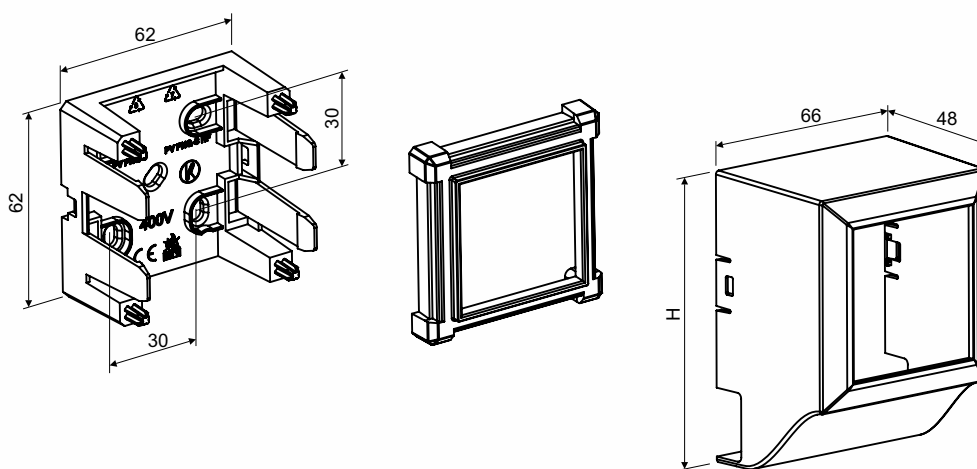
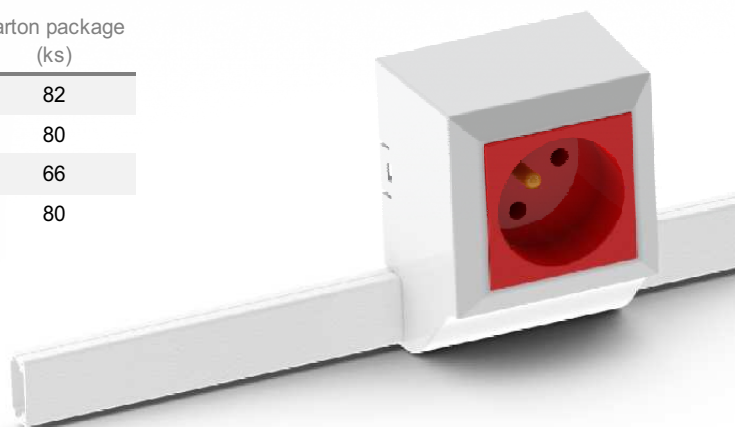


item number	for trunking	height H (mm)	weight (g)	carton package (ks)
PNQ 20X10_HB	LHD 20X10	86	73	82
PNQ 32X15_HB	LHD 32X15	98	74	80
PNQ 40X20_HB	LHD 40X20	108	78	66
PNQ LP 35_HB	LP 35	101	73	80



product description: designed for the assembly of modular socket QUADRO (KOPOS KOLÍN a.s.)
 suitable for instruments of other producers 45x45 or 45x22,5
 it consists of three parts - carrier, frame, cover

material: PVC

color: white

self-snuffing: yes, within 30 s

temperature resistance: -5 - +60 °C

flaming loop test: 850 °C

fire class for underlying material: A1-F

certification: EN 60 670-1

storage: ČSN 64 0090

