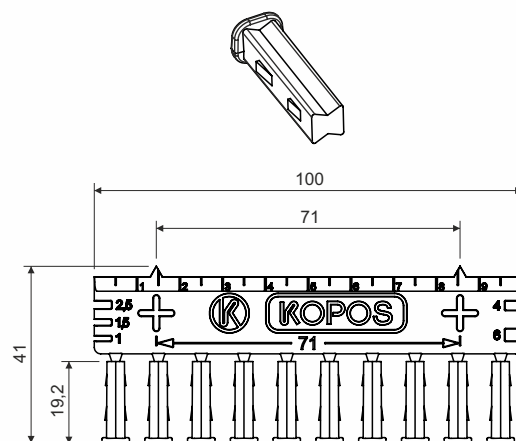
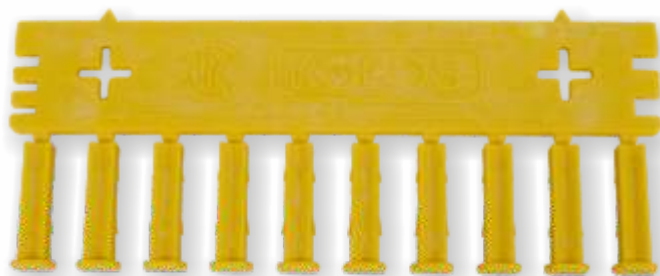


SKLD 2_NB



product description:

Intended for box KUL 68-45/LD coupling.

It allows joining of KPRL 68-70/LD boxes or combination of KUL 68-45/LD and KPRL 68-70/LD boxes.

The measure piece with marking spikes and crosses in distance 71 mm help mounting of combined frames. There are also cabel cross section identification cuts

One piece order of SKLD 2_NB. Means one panel with 10 couplings.

material: PVC, self-snuffing

color: yellow

temperature resistance: -5 - +60 °C

weight: 9 g (panel)

storage: ČSN 64 0090

